

# NTC.TEMP.SNR VR

## 1-2-1205-0007

### 1. Technical data

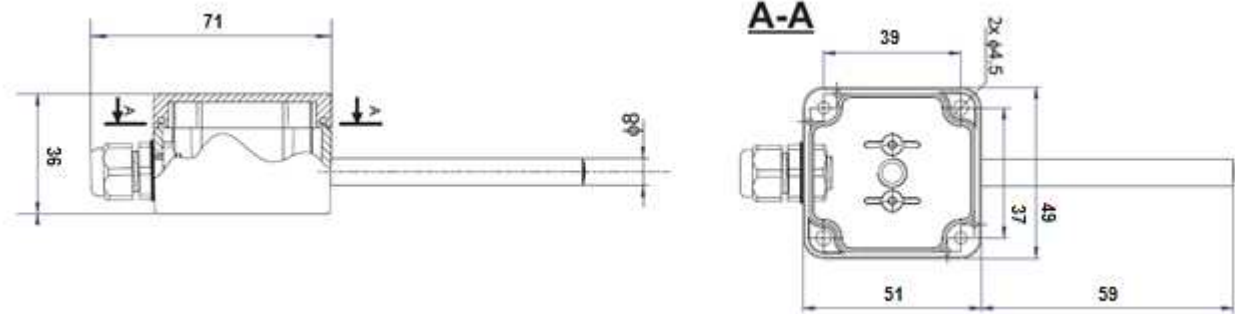


- Dimensions: 36x49x71 mm (w/o a probe)
- Probe length: 59 mm
- Probe diameter: 8 mm
- Sensor type: NTC 10k
- IP: 66
- Work temperature: -20 – 70 °C
- Storage temperature: -20 – 70 °C

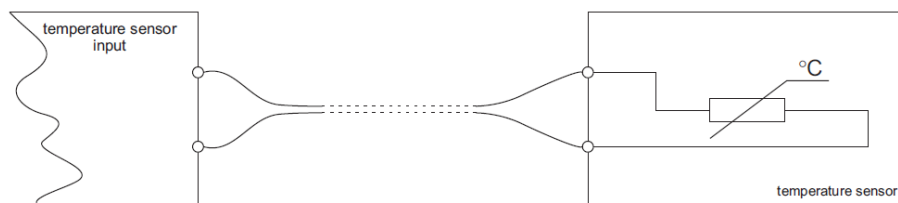
### 2. Description

Duct temperature sensor with NTC 10k $\Omega$  sensor.  
 Sensor class: B Temperature coefficient: : 3550 K  
 Maximum current: 1 mA  
 Maximum wire diameter: 1,5 mm<sup>2</sup>

### 3. Technical drawing



### 4. Connection



## 5. Assembly

